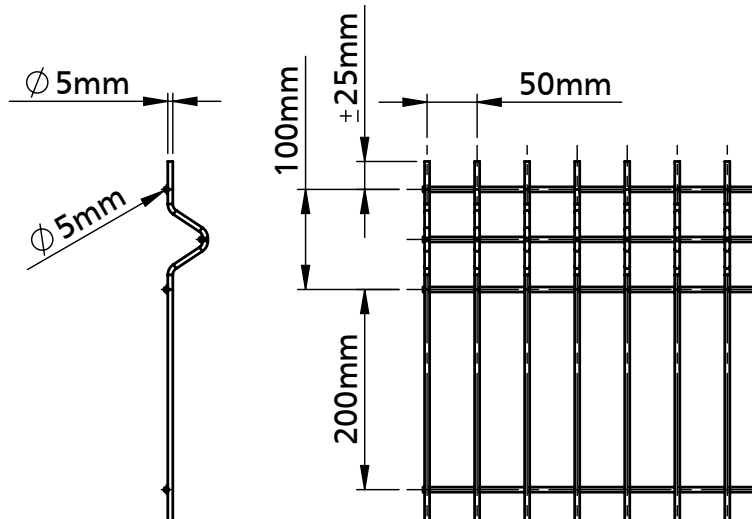


PANELS

V-FENCE 5/5

MESH SIZE 50 X 200 MM

DIMENSIONS



SURFACE TREATMENTS

- Self-colour
- Galvan (zinc/alu) wire + polyester powder coating
- Standard colours: RAL 6005, 6009, 7016 & 9005

WEIGHT TABLE

Height	Pre-galve + coated
830 mm	8,7 kg
1030 mm	10,4 kg
1230 mm	12,1 kg
1430 mm	13,8 kg
1530 mm	15,3 kg
1730 mm	17 kg
1930 mm	18,7 kg
2030 mm	20,2 kg
2330 mm	22,5 kg
2430 mm	23,6 kg

Other dimensions, mesh sizes and colours available upon request.

APPLICATIONS

- Schools
- Housing
- Public places
- Light industry

SECURITY LEVEL 5



TECHNICAL SPECIFICATIONS

- Horizontal wires: 1 x $\phi 5\text{ mm}$ (1 x 6 GA)
- Vertical wires: 1 x $\phi 5\text{ mm}$ (1 x 6 GA)
- Width: 2.508 mm (8' 2")
- Height: see weight table
- Mesh size: 55 x 200 mm (2,17" x 8")
(in V-section: 50 x 100 mm) (2" x 4")