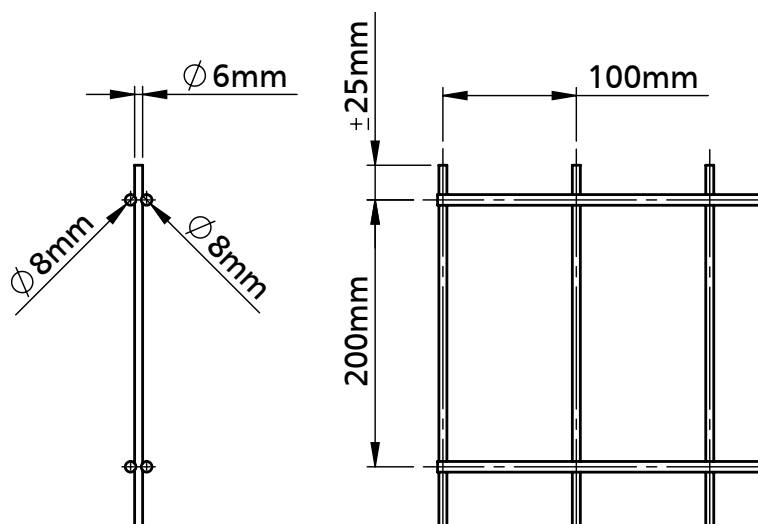


PANELS

DUOFENCE 8/6/8

MESH SIZE 100 X 200 MM

DIMENSIONS



SURFACE TREATMENTS

- Self-colour
- Galfan (zinc/alu) wire + polyester powder coating
- Hot-dip galvanised according to EN ISO 1461
- Hot-dip galvanised according to EN ISO 1461 with polyester powder coating
- Standard colours: RAL 6005, 6009, 7016 & 9005

WEIGHT TABLE

Height	Self-colour	HDG	HDG + coated
1030 mm	16,4 kg	17 kg	17,5 kg
2030 mm	30,8 kg	32 kg	33,0 kg

Other dimensions, mesh sizes and colours available upon request.

APPLICATIONS

- Public places
- Infrastructure
- Sport fields

SECURITY LEVEL 3



TECHNICAL SPECIFICATIONS

- Horizontal wires: 2 x \varnothing 8 mm (2 x 0 GA)
- Vertical wires: 1 x \varnothing 6 mm (1 x 4 GA)
- Width: 2.508 mm (8' 2")
- Height: see weight table
- Mesh size: 100 x 200 mm (4" x 8")