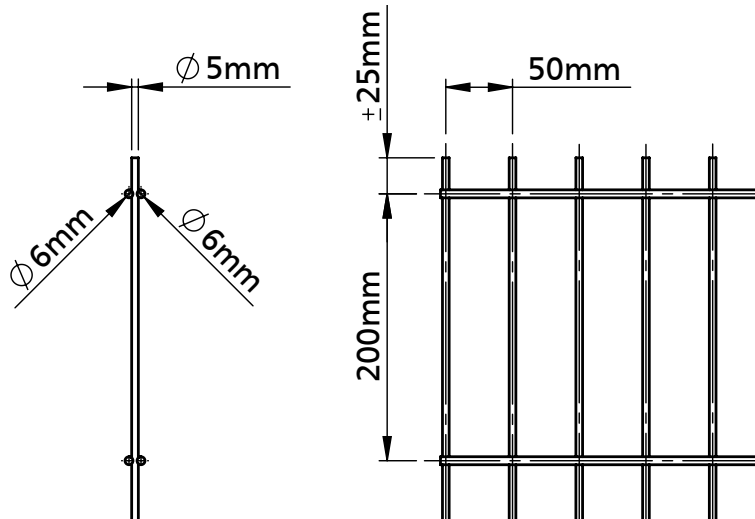


PANELS

DUOFENCE 6/5/6

MESH SIZE 50 X 200 MM

DIMENSIONS



SURFACE TREATMENTS

- Self-colour
- Galfan (zinc/alu) wire + polyester powder coating
- Hot-dip galvanised according to EN ISO 1461
- Hot-dip galvanised according to EN ISO 1461 with polyester powder coating
- Standard colours: RAL 6005, 6009, 7016 & 9005

WEIGHT TABLE

| Height | Pre-galve + coated | HDG | HDG + coated |
|---------|--------------------|---------|--------------|
| 630 mm | 8,2 kg | 8,5 kg | 8,7 kg |
| 830 mm | 10,5 kg | 10,9 kg | 11,1 kg |
| 1030 mm | 12,9 kg | 13,4 kg | 13,6 kg |
| 1230 mm | 15,2 kg | 15,8 kg | 16,1 kg |
| 1430 mm | 17,6 kg | 18,2 kg | 18,5 kg |
| 1630 mm | 19,9 kg | 20,6 kg | 21,0 kg |
| 1830 mm | 22,3 kg | 23,1 kg | 23,5 kg |
| 2030 mm | 24,6 kg | 25,5 kg | 26,0 kg |
| 2230 mm | 26,9 kg | 27,9 kg | 28,4 kg |
| 2430 mm | 29,3 kg | 30,4 kg | 30,9 kg |

Other dimensions, mesh sizes and colours available upon request.

APPLICATIONS

- Schools
- Housing
- Public places
- Industry
- Sport fields

SECURITY LEVEL 6



TECHNICAL SPECIFICATIONS

- Horizontal wires: 2 x \varnothing 6 mm (2 x 4 GA)
- Vertical wires: 1 x \varnothing 5 mm (1 x 6 GA)
- Width: 2.508 mm (8' 2")
- Height: see weight table
- Mesh size: 50 x 200 mm (2" x 8")