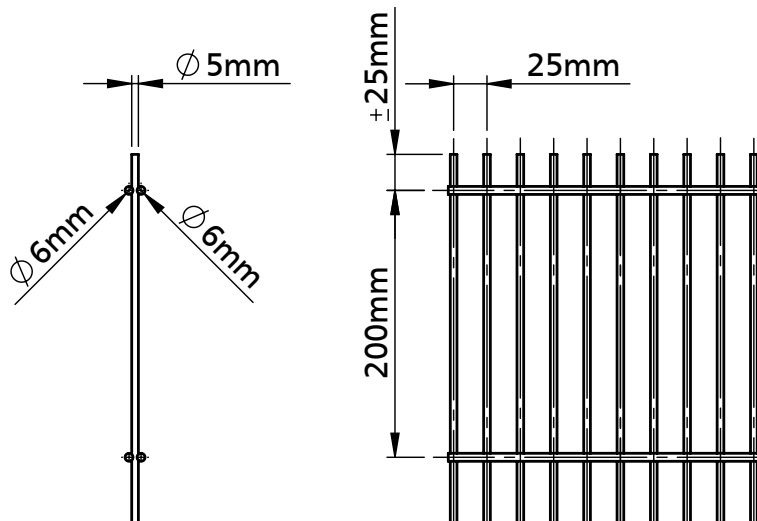


PANELS

DUOFENCE 6/5/6

MESH SIZE 25 X 200 MM

DIMENSIONS



SURFACE TREATMENTS

- Self-colour
- Galfan (zinc/alu) wire + polyester powder coating
- Hot-dip galvanised according to EN ISO 1461
- Hot-dip galvanised according to EN ISO 1461 with polyester powder coating
- Standard colours: RAL 6005, 6009, 7016 & 9005

WEIGHT TABLE

Height	Pre-galve + coated	HDG	HDG + coated
1030 mm	19,9 kg	20,7 kg	21,3 kg
2030 mm	38,4 kg	39,9 kg	41,1 kg

Other dimensions, mesh sizes and colours available upon request.

APPLICATIONS

- Public places
- Industry
- Prisons
- Infrastructure
- High security

SECURITY LEVEL 7



TECHNICAL SPECIFICATIONS

- Horizontal wires: 2 x $\phi 6\text{ mm}$ (2 x 4 GA)
- Vertical wires: 1 x $\phi 5\text{ mm}$ (1 x 6 GA)
- Width: 2.508 mm (8' 2")
- Height: see weight table
- Mesh size: 25 x 200 mm (1" x 8")

