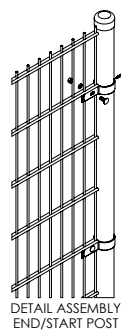
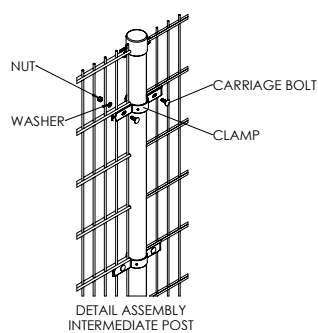
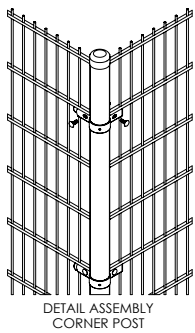
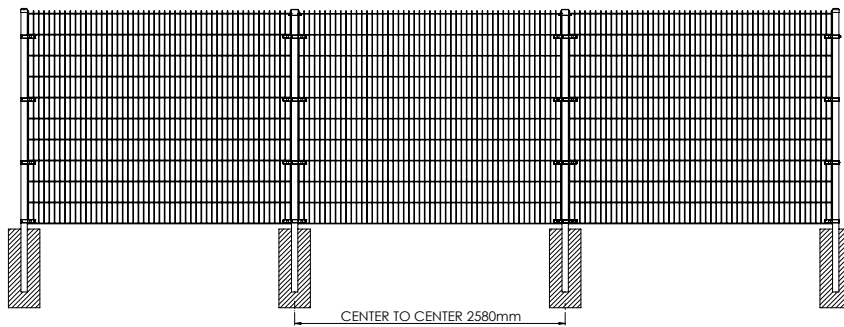


VM I DUOFENCE

DUOFENCE VM I

The DUOFENCE panel is the most economical 2D welded mesh panel in the VM welded mesh panel program. These panels excel both in stability and durability. The high quality is ensured by the use of top-quality materials and their careful processing. The mesh patterns of 50x200mm in combination with 2x6mm wires horizontal and 1x5mm wire vertical ensures a cost-efficient perimeter solution.

The fence system VM I offers an excellent price/quality ratio and can be used for a wide range of applications. The round post profiles are very easy to install by digging or ramming. With our approved bracket system together with carriage bolts and (shear) nuts it's an affordable system.



Height	Posts	Length	C to C	Brackets
600	60,3x1,75	1400	2580	2
800	60,3x1,75	1850	2580	2
1000	60,3x1,75	1850	2580	2
1200	60,3x1,75	2050	2580	3
1430	60,3x1,75	2300	2580	3
1630	60,3x1,75	2600	2580	3
1830	60,3x1,75	2600	2580	3
2030	60,3x1,75	2800	2580	4
2230	60,3x1,75	3000	2580	4
2430	60,3x1,75	3300	2580	4

* all sizes are in millimeters

SECURITY LEVEL 6



APPLICATIONS

- Schools
- Housing
- Public places
- Industry
- Sport fields

