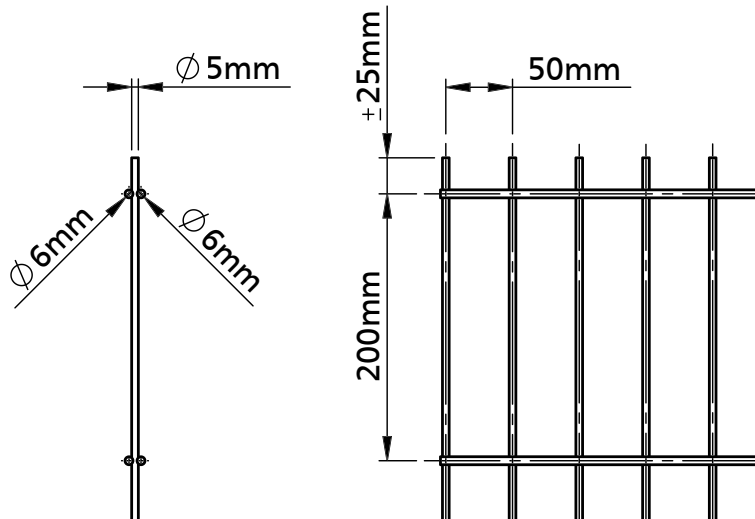


PANELS

DUOFENCE

6/5/6, MESH SIZE 50 X 200 MM

DIMENSIONS



SURFACE TREATMENTS

- Self-colour
- Galvanised wire with polyester powder coating
- Hot-dip galvanised according to EN ISO 1461
- Hot-dip galvanised according to EN ISO 1461 with polyester powder coating
- Standard colours: RAL 6005, 6009, 7016 & 9005

WEIGHT TABLE

Height	Pre-galve + coated	HDG	HDG + coated
630 mm	8,2 kg	8,5 kg	8,7 kg
830 mm	10,5 kg	10,9 kg	11,1 kg
1030 mm	12,9 kg	13,4 kg	13,6 kg
1230 mm	15,2 kg	15,8 kg	16,1 kg
1430 mm	17,6 kg	18,2 kg	18,5 kg
1630 mm	19,9 kg	20,6 kg	21,0 kg
1830 mm	22,3 kg	23,1 kg	23,5 kg
2030 mm	24,6 kg	25,5 kg	26,0 kg
2230 mm	26,9 kg	27,9 kg	28,4 kg
2430 mm	29,3 kg	30,4 kg	30,9 kg

Other dimensions, mesh sizes and colours available upon request.

APPLICATIONS

- Schools
- Housing
- Public places
- Industry
- Sport fields

SECURITY LEVEL 6



TECHNICAL SPECIFICATIONS

- Horizontal wires: 2 x \varnothing 6 mm
- Vertical wires: 1 x \varnothing 5 mm
- Width: 2.508 mm
- Height: see weight table
- Mesh size: 50 x 200 mm

